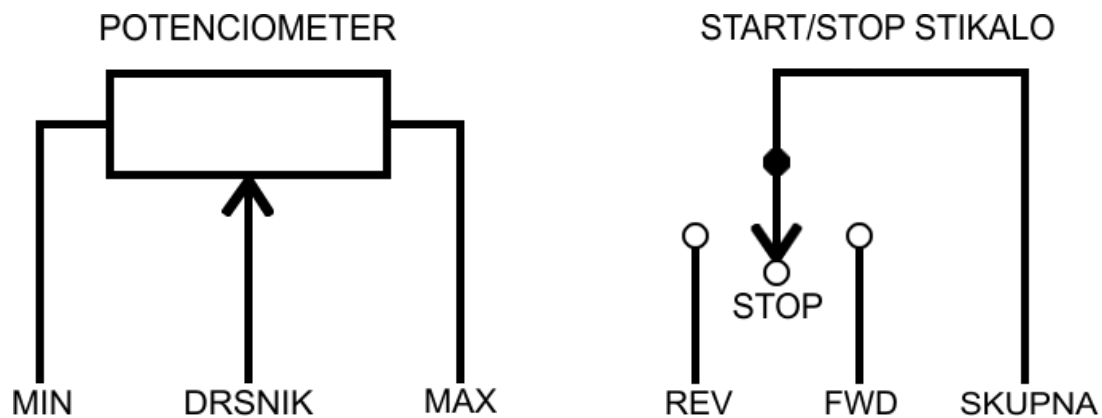


SLO – krmiljenje frekvenčnega pretvornika z zunanjim potenciometrom in stikalom: **Omron 3G3MV**

Osnovna vezalna shema in pogoji delovanja

Nastavitve parametrov



FC FR FS S2 S1 SC

Krmilne sponke na frekvenčnem pretvorniku

- vrednost potenciometra (linearna karakteristika, najmanj 0.5 W): 2 k Ω
- stikalo SW2/2 mora biti v položaju V (levo)
- stikalo SW1 mora biti v položaju NPN

Po ponastavitvi parametrov na tovarniške vrednosti (n001 -> 8) je potrebno spremeniti naslednje parametre:

- definicija reference: n004 -> 2
- definicija START/STOP: n003 -> 1
- MIN izhodna frekvenca: n034
- MAX izhodna frekvenca: n011 in n033
- čas pospeševanja: n019
- čas pojemanja: n020



SIGI elektronika, Žiga Divjak s.p.
Cesta 7/5
1310 Ribnica

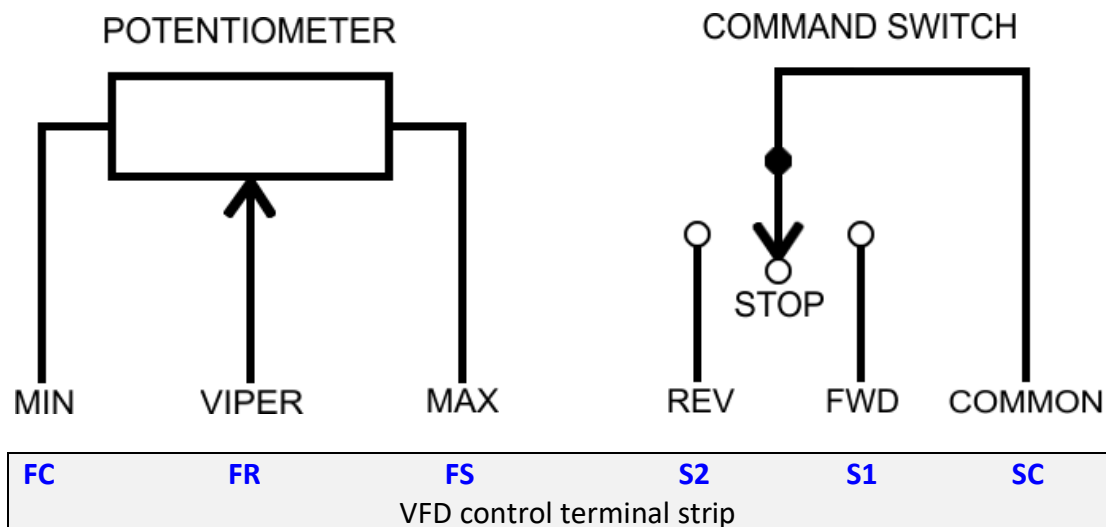
www.sigi-elect.si
sigi@sigi-elect.si
sigi.elect@gmail.com

051 344 018 (Matija)
070 638 328 (Žiga)

ENG – variable frequency drive control with external potentiometer and switch (2-wire control): **Omron 3G3MV**

Basic wiring diagram and operating conditions

Parameter settings



- potentiometer value (linear, at least 0.5 W): 2 k Ω
- switch SW2/2 must be in the V position (left)
- switch SW1 must be in the NPN position

If all VFD parameters are initialized to factory default values (n001 -> 8), you only need to adjust the following parameters:

- frequency reference: n004 -> 2
- START/STOP command: n003 -> 1
- MIN out frequency: n034
- MAX out frequency: n011 in n033
- acceleration time: n019
- deceleration time: n020



SIGI elektronika, Žiga Divjak s.p.
Cesta 7/5
1310 Ribnica
Slovenia

www.sigi-elect.si
sigi@sigi-elect.si
sigi.elect@gmail.com

00386 51 344 018 (Matija)
00386 70 638 328 (Žiga)